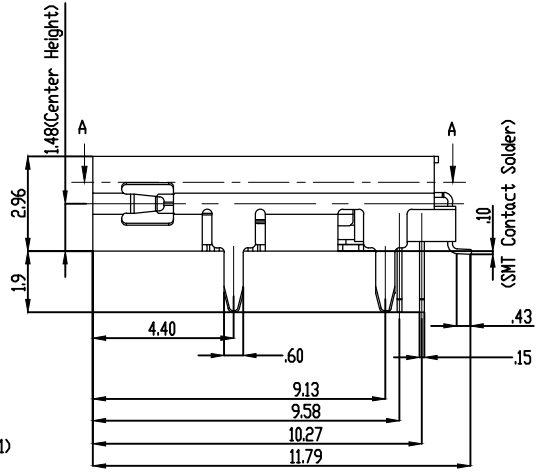
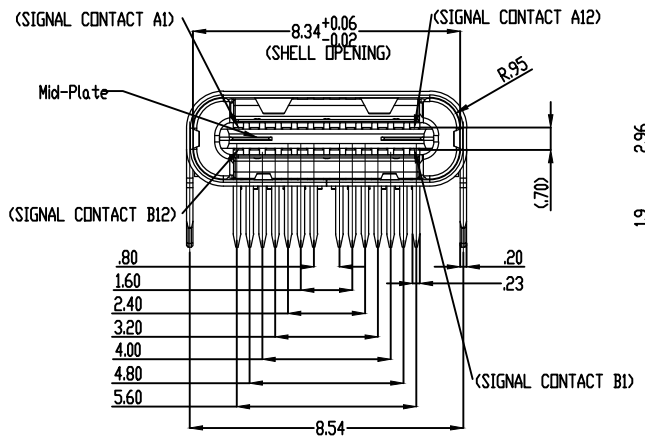


SPECIFICATIONS

- Current Rating: 5 Amps
- Insulator Resistance: 100 Megohms Min @ 100 VAC
- Voltage Rating: 20V
- Dielectric withstanding: 100V AC
- Operating Temperature: -40°C~+105°C
- Mating Cycle: 10000 insertions
- Contacts: Brass
- Shell: Stainless Steel
- Under plate: 80u"~160u" Nickel
- Solder Tail Area: 100u"~200u" Tin (Lead Free)
- Contact Area: 30u"Pd-Ni+2u" Selective Gold
- Insulator Material: Thermoplastic, Black

BPA-Q J 24 F VZ T Q X X XX FG
 1 2 3 4 5 6 7 8 9 10 11



- 1.SERIES NO. BPA-Q=USB C Series
- 2.J=SMT+DIP Type
- 3.CONTACT NUMBER: 24=24 PINS
- 4.CONTACT TYPE: F=FEMALE(LCP)
- 5.CONTACT AREA PLATING: VZ=30u"Pd Ni+2u" GOLD
- 6.SOLDER TAILS AREA PLATING: T=100u"~200u" TIN(Lead Free)
- 7.SHELL PLATING: Q=Ni-Plated(W/O SMT Solder)
- 8.1=W/O Rear masking sheet (PCB 1.00mm), 3=W/O Rear masking sheet (PCB 1.60mm)
- 9.PACKING STYLE: A=TRAY, C=Tape&Reel
- 10.INSULATOR COLOR: 1=Black, 1C=Black+Date Code
- 11.Green Option: FG=RoHS Compliant (Matte)(Halogen Free)

APTOS Technology CONFIDENTIAL
 This document, and all information it contains, are the confidential, proprietary property of APTOS Technology. Disclosure, duplication or distribution of this document, or any information it contains, in whole or part, without prior written permission from APTOS Technology is strictly prohibited

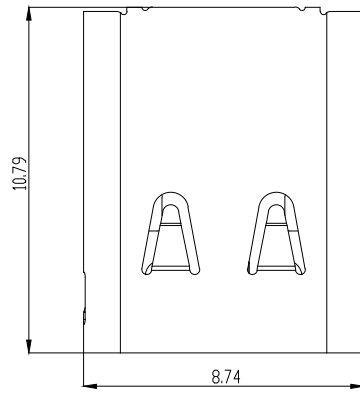
GENERAL TOLERANCE UNLESS OTHERWISE SPECIFIED	
XXX. ± X	.XX ± 0.10
XX. ± X	.XXX ± X
X. ± 0.50	X.' ± 1"
.X ± 0.30	.X' ± X"

REV. A	DRAWN	09/15/09
DATE 09/15/09	CHECKED	
SCALE As shown	APPROVED	
UNIT mm		SIZE A4

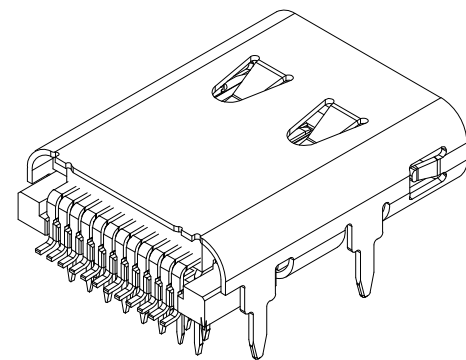
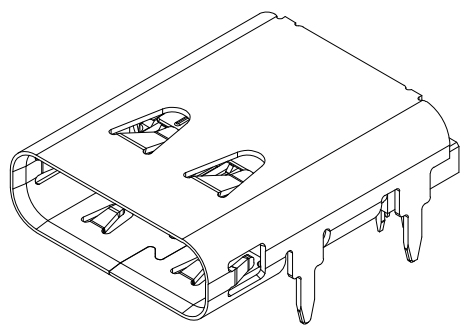
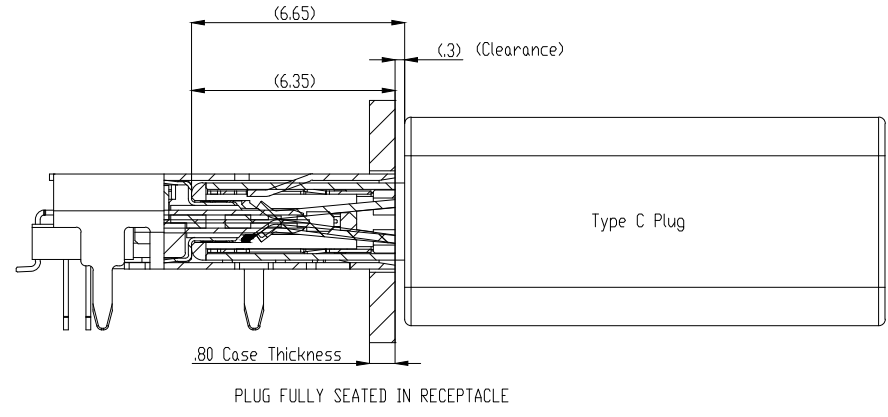
	PCB 1.0mm	PCB 1.6mm
DIM-A	1.50mm	1.90mm



BPA-Q Series
 USB C Type (W/O SMT Solder)
 (Insertion Distance 6.20mm)
 PRODUCT NO. BPA-QJ24FVZTQXXX-FG
 FILE NAME: BPA-QJ24FVZTQXXX-FG.dwg



CDXDC logo



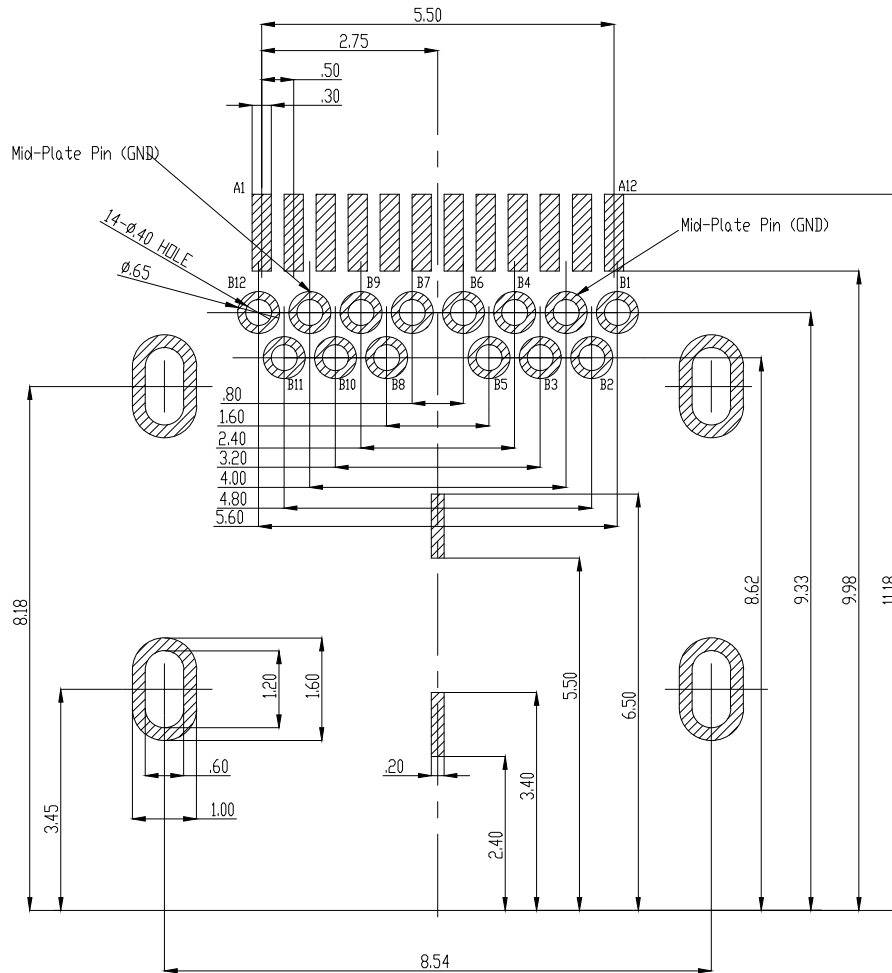
GENERAL TOLERANCE UNLESS OTHERWISE SPECIFIED	
xxx. ± X	.xx ± 0.10
xx. ± X	.xxx ± X
x. ± 0.50	x.' ± 1"
.x ± 0.30	.x' ± X"



APTOS Technology CONFIDENTIAL
 This document, and all information it contains, are the confidential, proprietary property of APTOS Technology. Disclosure, duplication or distribution of this document, or any information it contains, in whole or part, without prior written permission from APTOS Technology is strictly prohibited

REV. A	DRAWN	09/15/09
DATE 09/15/09	CHECKED	
SCALE As shown	APPROVED	
UNIT mm		SIZE A4

BPA-Q Series USB C Type (W/O SMT Solder) (Insertion Distance 6.20mm)	
PRODUCT NO.	BPA-QJ24FVZTQXXX-FG
FILE NAME:	BPA-QJ24FVZTQXXX-FG.dwg



Recommended PCB LAYOUT
 TOLANCE ±0.05
 PCB Thickness = 1.0 For 1.50 Solder tail
 1.6 For 1.90 Solder tail

USB TYPE -C Pin Assignments

Pin Number	Signal Name	Pin Number	Signal Name
A1	GND	B12	GND
A2	SSTXp1	B11	SSRXp1
A3	SSTXn1	B10	SSRXn1
A4	VBUS	B9	VBUS
A5	CC1	B8	SBU2
A6	Dp1	B7	Dn2
A7	Dn1	B6	Dp2
A8	SBU1	B5	CC2
A9	VBUS	B4	VBUS
A10	SSRXn2	B3	SSTXn2
A11	SSRXp2	B2	SSTXp2
A12	GND	B1	GND

APTOS Technology CONFIDENTIAL
 This document, and all information it contains, are the confidential, proprietary property of APTOS Technology. Disclosure, duplication or distribution of this document, or any information it contains, in whole or part, without prior written permission from APTOS Technology is strictly prohibited

GENERAL TOLERANCE UNLESS OTHERWISE SPECIFIED	
xxx. ± x	.xx ± 0.10
xx. ± x	.xxx ± x
x. ± 0.50	x.' ± 1"
.x ± 0.30	.x' ± x"



REV. A	DRAWN	09/15/09	BPA-Q Series USB C Type (W/O SMT Solder) (Insertion Distance 6.20mm)
DATE 09/15/09	CHECKED		
SCALE As shown	APPROVED		PRODUCT NO. BPA-QJ24FVZTQXXXX-FG
UNIT mm		SIZE A4	FILE NAME: BPA-QJ24FVZTQXXXX-FG.dwg